

Rocla TS20ac sit-on pallet truck with 2000 kg or 2500 kg capacity is an optimum choice for heavy work and long transporting distances in industry and big terminals and warehouses. New seat and the b2 control panel upgrade the truck's ergonomics to a completely new level and controlling the truck is very easy.



TS20ac

Rocla

The intelligent way to move



- AC-drive motor – more efficiency
- New b2 control panel with digital display
- Driver's personal settings and PIN code in the control panel
- New comfortable seat and ergonomic driving position
- Quick battery changing system
- Good visibility

TS20ac

| 1 IDENTIFICATION | | | |
|---------------------------|---|---------------------|------------------|
| 1.1 | Manufacturer | | Rocla Oyj |
| 1.2 | Model | | TS20ac |
| 1.3 | Power source | | Battery |
| 1.4 | Operating mode | | Pedestrian |
| 1.5 | Nominal capacity/load | Q [kg] | 2000 |
| 1.6 | Load center (COG) | c [mm] | 600 |
| 1.8 | Load wheel axel to fork face (forks lowered) | x [mm] | 961* |
| 1.9 | Wheelbase (forks lowered) | y [mm] | 1674* |
| 2 WEIGHTS | | | |
| 2.1 | Truck weight (with nominal load & battery) | [kg] | 2955 |
| 2.2 | Axle loadings (with load and battery), drive/load side | [kg] | 1830/1125 |
| 2.3 | Axle loadings (without load/with battery), drive/load side | [kg] | 220/735 |
| 3 WHEELS AND TYRES | | | |
| 3.1 | Tyres, material (R=rubber/Vul=Vulkollan) drive/load side | | Vul/Vul |
| 3.2 | Load wheel dimensions (diameter x width) | [mm] | 85x75 |
| 3.3 | Drive wheel dimensions (diameter x width) | [mm] | 250x100 |
| 3.4 | Castor wheel dimensions (diameter x width) | [mm] | 150x48 |
| 3.5 | Number of the wheels (x=driven) drive/load side | [mm] | 1x+2/4 |
| 3.6 | Track width (centre of tyres), load side | b10 [mm] | 354 (374, 514) |
| 3.7 | Track width (centre of tyres), drive side | b11 [mm] | 685 |
| 4 DIMENSIONS | | | |
| 4.4 | Lift | h3 [mm] | 115 |
| 4.8 | Platform height | h7 [mm] | 400 |
| 4.15 | Fork height, fully lowered | h13 [mm] | 85 |
| 4.19 | Overall lenght (platform up/down) | l1 [mm] | 2100* |
| 4.20 | Powerhead length (to fork face), platform up/down | l2 [mm] | 950 |
| 4.21 | Chassis (overall width) | b1 /b2 [mm] | 1050 |
| 4.22 | Fork dimensions (thickness/width/length) | s/e/l [mm] | 50/165/1150 |
| 4.25 | Outside width over forks | b5 [mm] | 520 (540,680) |
| 4.32 | Ground clearance, center of wheelbase (forks lowered) | m2 [mm] | 35 |
| 4.33 | Working aisle width Ast, pallet 1000x1200, load crosswise | Ast [mm] | 2751* |
| 4.33 | Working aisle width Ast3, pallet 1000x1200, load crosswise | Ast3 [mm] | 2189* |
| 4.34 | Working aisle width Ast, pallet 800x1200, load lengthwise | Ast [mm] | 2616* |
| 4.34 | Working aisle width Ast3, pallet 800x1200, load lengthwise | Ast3 [mm] | 2389* |
| 4.35 | Turning radius (forks lowered, platform up/down) | Wa [mm] | 1950* |
| 5 PERFORMANCE | | | |
| 5.1 | Travel speed, laden/unladen | [km/h] | 8/11 |
| 5.2 | Lifting speed, laden/unladen | [m/s] | 0.03/0.04 |
| 5.3 | Lowering speed, laden/unladen | [m/s] | 0.07/0.02 |
| 5.7 | Gradeability, laden/unladen | [%] | 6/15 |
| 5.10 | Service brake | | Magn. brake |
| 6 MOTORS | | | |
| 6.1 | Drive motor S2 60min | [kW] | 2.2 |
| 6.2 | Lift motor S3 10% | [kW] | 1.2 |
| 6.4 | Battery voltage/capacity (min-max) | [V/Ah] | 24/375-465 |
| 6.5 | Battery weight (min/max) | [kg] | 305/395 |
| 8 MISCELLANEOUS | | | |
| 8.1 | Speed control type | | Stepless |
| 8.4 ** | Level of noise at the ear level of the driver according to EN 12 053:2001 and EN ISO 4871 in work LpA | [dB (A)] | 67 |
| | Level of noise at the ear level of the driver EN 12 053:2001 and EN ISO 4871 drive/lift/idle LpA | [dB (A)] | 72/59/43 |
| | Body tremble according to EN 13 059:2002 | [m/s ²] | 0,8 |
| | Hand tremble according to EN 13 059:2002 | [m/s ²] | < 2,5 |

* Fork width 1150 mm

** Inaccuracy 4 dB (A)



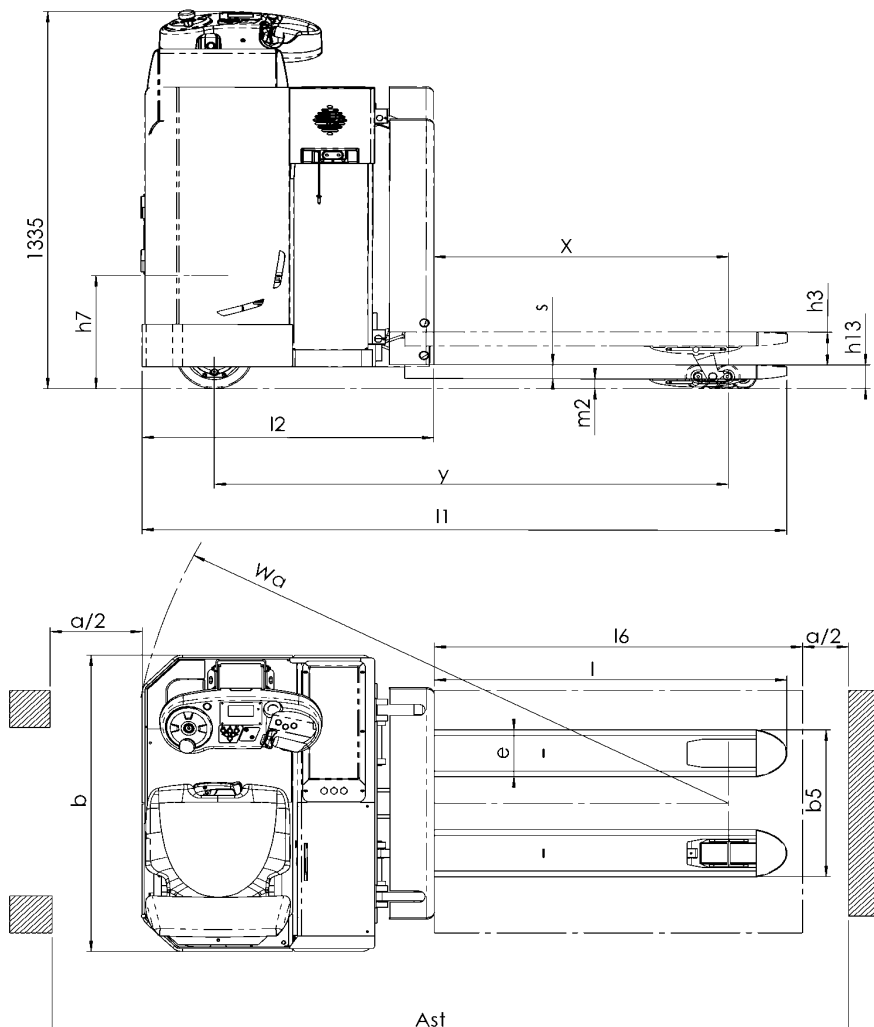


Fork dimensions (mm)

| Fork width | Fork Length | x-dimension forks raised/lowered | Wheelbase forks raised/lowered | Turning radius forks raised/lowered |
|------------|-------------|--|--------------------------------------|---|
| 520-680 | 950 | 711/761 | 1624/1674 | 1550/1600 |
| | 1150 | 911/961 | 1824/1874 | 1750/1800 |
| | 1450 | 911/961 | 1824/1874 | 1750/1800 |

Working aisle width (mm)

| Pallet size | Handling | Ast/Ast 3 Fork length 1150 mm | Ast/Ast 3 Fork length 1450 mm |
|-------------|------------|-------------------------------------|-------------------------------------|
| 800 x 1200 | Lengthwise | 2616/2389 | 2821/2689 |
| 1000 x 1200 | Crosswise | 2751/2189 | 2957/2689 |



TS20ac

The strong and durable construction of TS20ac is suitable for hard work. Also the ergonomics of the truck is designed for demanding working environment. The new seat and well protected driver's compartment make working comfortable. Exact controls ensure excellent drivability. Control panel height is adjustable which improves user friendliness. Ergonomic driver's positioning and excellent visibility to both directions increase safety.



Rocla TS20ac options

| | |
|--------------------------------|--|
| Cold store modification | Drive alarm |
| Special colour for side plates | Battery locking |
| Design covers | Nominal capacity 2500 kg |
| Steering direction changed | Battery changing device |
| Key switch | Pallet entry and exit rollers * |
| Current output 12V/8A | Battery changing device with rolls for 2 batteries |
| Warning light on the roof | Battery connector and cables |
| Working light | Charger connector |
| Powder extinguisher | Seat belt |

* Only factory assembly



1. The b2 control panel has a completely new display and control buttons in the middle. New panel offers a lot of new functions compared to old model.



2. The operator's compartment provides spacious, comfortable and safe working environment for the operator. A low step height enables easy entrance to the machine.



3. The design of the battery compartment allows easy access for maintenance purposes. The battery is mounted on rollers, which enables quick changing of the battery and supports multi-shift working.

Rocla

The intelligent way to move

Rocla Oyj
P.O.Box 88
04401 Järvenpää
Tel. 020 778 11
Fax 020 778 1470

www.rocla.com
e-mail: rocla@rocla.com